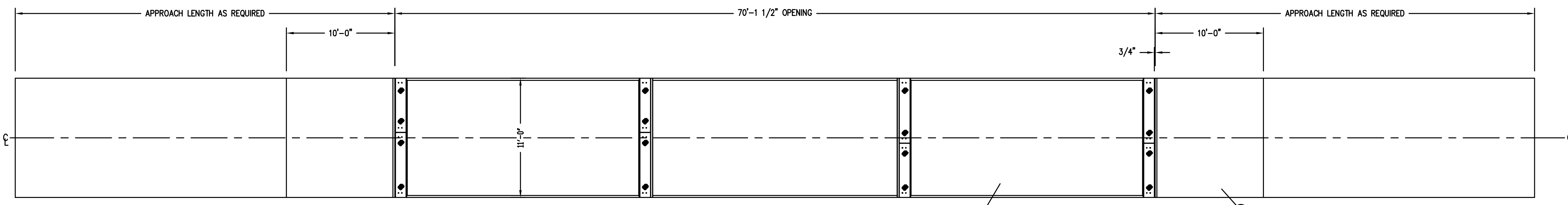
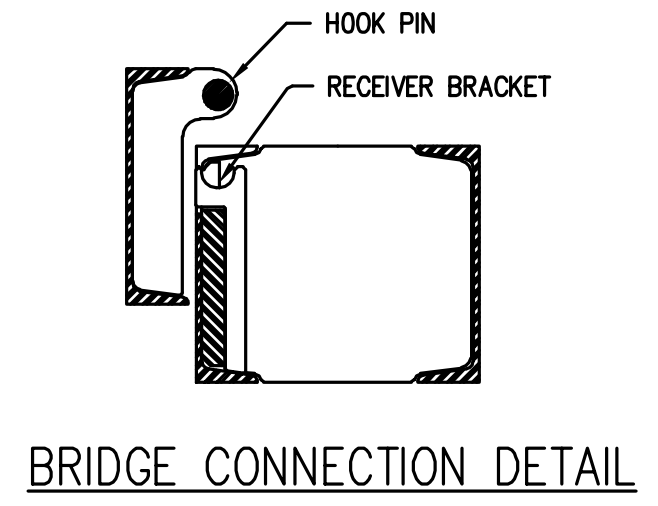
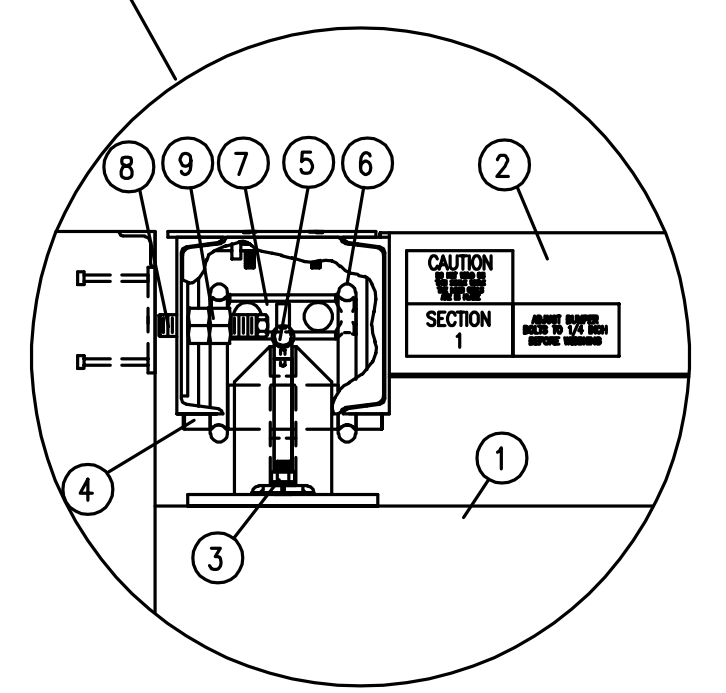
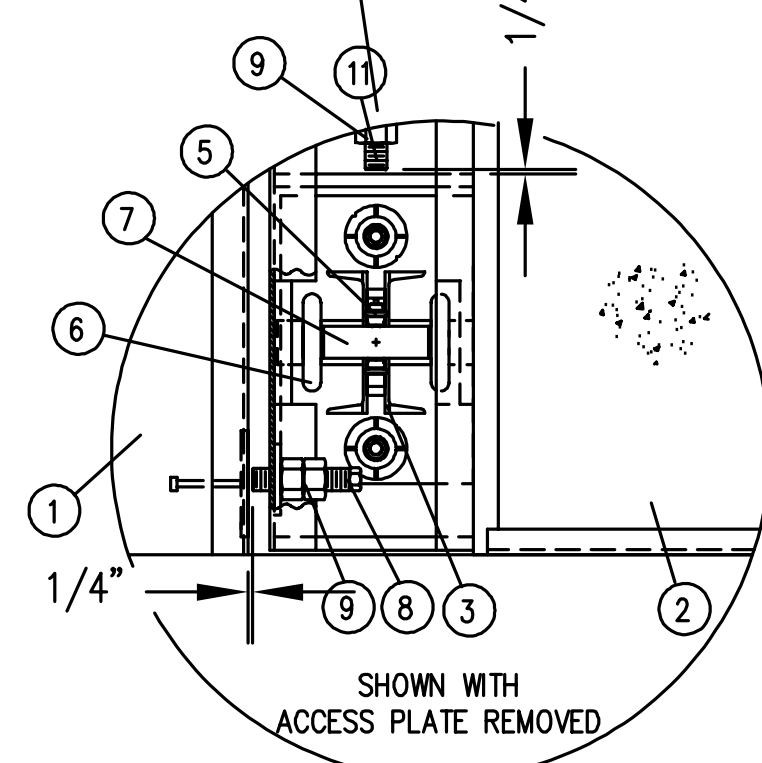
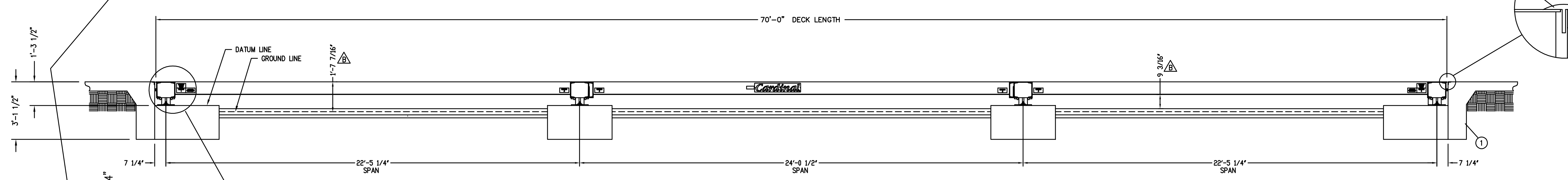
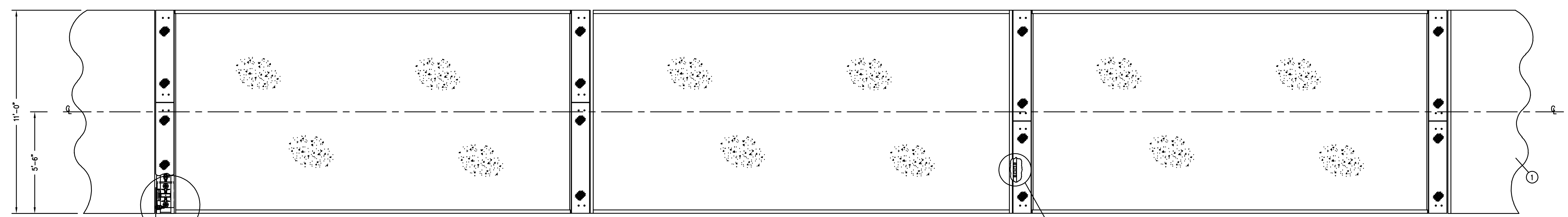


**IMPORTANT!** If your scale is equipped with access ways, such as manholes, it is the users responsibility to provide proper protection such as barriers, during the time they are open or removed.

REVISION RECORD			
LTR	DESCRIPTION	DATE	BY
A	RELEASED	8/16/00	21020 BAS/MLS
B	NOTE 3 MAX LIFT WAS 6,000# NOTE 8 MIN CLEARANCE WAS 9 1/4" NOTE 15 CU YDS CONCRETE WAS 31 NEW X-REFS 9 3/16" DIMENSION WAS 9 1/4" 1'-7 7/16" DIMENSION WAS 1'-7 1/2"	11/10/00	21175 JAT/MLS
C	ITEM 3 WAS 0103-C127-0A, UPDATED ACCESS PLATES	8/28/01	21420 RN



PLAN VIEW GENERAL ARRANGEMENT



- NOTES:**
- CAUTION: DO NOT WELD ON THE SCALE WHILE THE LOAD CELLS ARE IN PLACE.
  - REFER TO DRAWING 3502-C435-GS FOR PROPER ELECTRICAL GROUNDING SPECIFICATIONS.
  - THE WEIGHBRIDGE IS SUPPLIED IN THREE MODULES. MAXIMUM LIFT PER MODULE IS 5,500 POUNDS.
  - PLACE MODULES ON LOAD CELL STANDS. ADJUST STAND SO THAT LINKS ARE PLUMB, Laterally AND TRANSVERSLY.
  - ADJUST BUMPER BOLTS TO 1/4" CLEARANCE.
  - THE WEIGHT INDICATOR IS SHOWN ON A SEPARATE DRAWING.
  - SAFETY BARRIERS ARE A USER/OWNER RESPONSIBILITY TO PREVENT VEHICLES FROM RUNNING OFF THE SIDES OF THE SCALE. FOR THE SAFETY OF VEHICLES USING THIS SCALE, SIDE RAILS AND/OR PROTECTIVE POSTS ARE AVAILABLE AS OPTIONAL EQUIPMENT.
  - THE 9 3/16" MINIMUM CLEARANCE UNDER THE SCALE MUST BE MAINTAINED THE FULL LENGTH OF THE SCALE EXCEPT AT THE LOAD CELL PIER AREAS.
  - SHIM UNDER LOAD CELL BEARING IF NECESSARY TO OBTAIN PROPER DEAD LOAD.
  - CARDINAL SCALE MFG. CO. RECOMMENDS THAT THE CUSTOMER INSTALL PROTECTIVE CONDUIT/COVER FOR THE LOAD CELL CABLES WHENEVER THE CONDITION IS PRESENT THAT CAN RESULT IN DAMAGE OR ABRASION TO THE LOAD CELL CABLES.
  - COIL EXCESS LOAD CELL CABLES IN SPACES PROVIDED BEHIND J-BOXES.
  - CONCRETE IS NOT SUPPLIED BY CARDINAL SCALE MFG. CO.
  - CONCRETE SHALL BE A MINIMUM OF 4500 PSI AT 28 DAYS.
  - THE SCALE SHOULD NOT BE LOADED FOR 28 DAYS TO ALLOW REQUIRED CONCRETE CURE TIME.
  - APPROXIMATELY 18 CUBIC YARDS OF CONCRETE IS REQUIRED FOR THE SCALE DECK.

- NOTES: CON'T.**
- REFER TO SPECIFICATION FOR CONCRETE SCALE DECKS, SPEC # 0104-A020-ES FOR CONCRETE PLACEMENT. THIS IS FOUND IN THE EPR, EPR-C, AND EPR-LF MANUAL 8525-M241-01. DEVIATIONS FROM THE SPECIFICATIONS WILL VOID ALL WARRANTIES. NOTE: THE BRIDGES MUST BE SUPPORTED AT MIDSPAN DURING THE CONCRETE CURING TIME.
- MODEL 13570-EPR-C  
 NOMINAL CAPACITY 135 TONS  
 U.S.—CONCENTRATED LOAD CAPACITY 40 TONS  
 CANADA—SECTIONAL CAPACITY  
 CANADA—S.W.A. NO.  
 SERIAL NUMBER "SALES ORDER NUMBER"
- NOMINAL CAPACITY IS THE GROSS CAPACITY AS ASSIGNED BY THE MANUFACTURER.
- CONCENTRATED LOAD CAPACITY (CLC) AS ASSIGNED BY THE MANUFACTURER, IS THE LOAD WHICH CAN BE PLACED ANYWHERE ON THE PLATFORM IN THE PRESCRIBED TEST PATTERN.
- SECTIONAL CAPACITY IS THE MAXIMUM LOADING FOR EACH PAIR OF LOAD CELLS AS ADJACENT PLATFORMS (SPANS) ARE LOADED.

QTY.	QTY.	QTY.	ITEM	PART/DWG. NUMBER	DESCRIPTION	MATERIAL OR SOURCE	WT. EACH
4	11		0129-B032-54		CHECK BOLT		2.7
22'	10		6540-0002		RUBBER T-STRIP		0.88
8	9		6013-0175		HEX NUT	1 1/4-TUNC-2B HEAVY	0.56
4	8		0129-B032-50		CHECK BOLT		2.0
1	7		3502-D417-0A		INTERCONNECTION DIAG.		126.0
16	6		0104-B037-08		LINK		5.0
8	5		2993-B036-08		PIVOT		0.7
8	4		0103-B120-08		SUPPORT PIN		16.0
8	3		0103-C204-0A		LOAD CELL STAND ASSY		61.2
1	2		0106-D002-0A		WEIGHBRIDGE SCHEMATIC		15850
1	1		0105-D005-0A		FOUNDATION PLAN		238.8

UNLESS OTHERWISE SPECIFIED TOLERANCE ON DIMENSIONS ARE:  
 ANGLES ± 1/2"  
 INTEGERS/FRACTIONS ± 1/16 IN.  
 DECIMALS (.X) ± .03 IN.  
 DECIMALS (.XX) ± .01 IN.  
 DECIMALS (.XXX) ± .005 IN.  
 NOTE: WHOLE NUMBERS MUST BE WRITTEN XX.000 TO INVOKE DECIMAL TOLERANCES.

THIS DRAWING IS THE PROPERTY OF THE CARDINAL SCALE MFG. CO. AND SHALL NOT BE USED NOR REPRODUCED EITHER WHOLLY OR IN PART EXCEPT WITH WRITTEN AUTHORIZATION. ALL RIGHTS OF DESIGN OR INVENTION ARE RESERVED.

**Cardinal**  
 Cardinal Scale Manufacturing Co.  
 VERO BEACH, FLORIDA 33470

TITLE: FINAL ASSEMBLY  
 SCALE: 3/8" = 12"  
 DR. BAS DATE 4/17/00  
 CH. MLS DATE 8/31/00

MODEL 13570-EPR-C SHEET 1 OF 1 DWG. NO. 0106-D001-0A REV. C