

Cardinal LOAD CELLS

SERIES SCA - LOAD CELLS FOR COMPRESSION WEIGHING



- Capacities 22680 kg, 45360 kg, and 54430 kg
- Hermetically sealed (IP68)
- Stainless steel construction
- 9 m integral shielded cable
- 2 year warranty

The heavy capacity series of compression load cells are ideal for multiple load cell compression applications such as motor truck scales, railroad track scales and heavy duty tank weighing systems. These compression load cells are available in 22680 kg, 45360 kg and 54430 kg

Load cells are fabricated from stainless steel to provide the ultimate in protection when caustic, corrosive or wet environments are encountered. Load cells are hermetically sealed for absolute water protection (IP68).

Each load cell is furnished with stainless steel load buttons on each end, and a 9 m integral multiconductor cable secured by a strain relief seal.

SPECIFICATIONS

Mechanical Data

Rated Capacity, (R.C.)E _{max}	22680, 45360 & 54430 kg
Minimum Dead Load	250, 500 kg
Safe Load Limit	150% R.C.
Ultimate Load	300% R.C.
Deflection at R.C.	0.33 mm
Spring Element Material	17-4 PH
Net Weight	6 kg

Certificate Data

Issuing Body	NTEP	OIML
Certificate Number	89-042A3	R60/1991-DK-97.04
		rev 1
Accuracy Class	III	C3
Maximum Number of Load		
Cell Intervals, n _{max}	10000	3000
Single/Multiple	M	
Humidity Symbol		CH
Minimum Load Cell		
Verification Interval V _{min}		
OIML	2.3, 4.5 & 5.4 kg	
NTEP	1.4 & 2.8 kg	

Electrical Data

Rated Output	2mV/V
Excitation Voltage, Recommended	10 VDC
Excitation Voltage, Maximum	15 VDC
Cable Length	9m
Terminal Resistance	
Excitation	1150 ± 12 ohms
Signal	1050 ± 10 ohms
Zero Load Output	± 1% R.C.
Insulation Resistance	>5000 megohms at 50 VDC

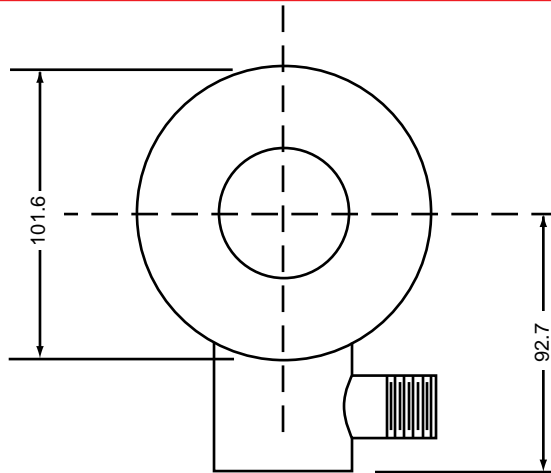
Environmental Data

Temperature Compensation	
Range	-10° to +40°C
Operating Temperature Range	-29° to +93°C
Construction & Protection	
Code	CP-67 HU, IP68
Barometric Pressure Effect on Zero Load Output	<1 v (min)/1kPa

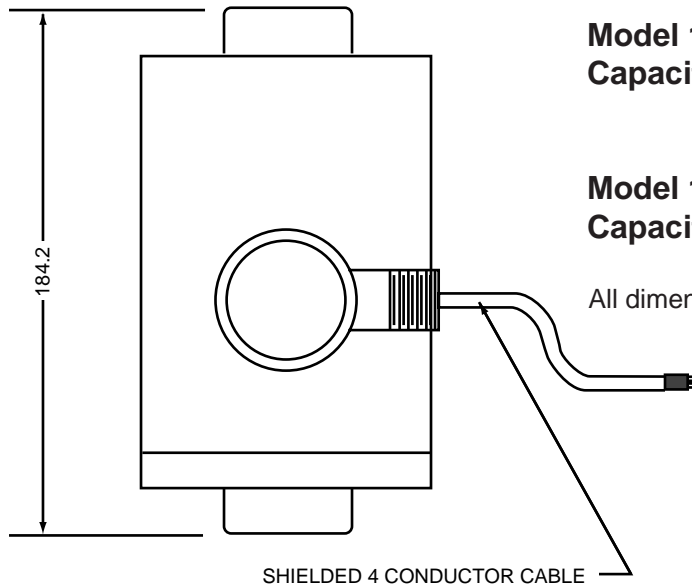
Color Code

+ Excitation	Green	- Signal	White
- Excitation	Black	+ Signal	Red

Cardinal COMPRESSION LOAD CELLS



Model 50K-SCA
Capacity: 22680 kg



Model 100K-SCA
Capacity: 45360 kg

Model 120K-SCA
Capacity: 54430 kg

All dimensions are in mm unless otherwise noted.



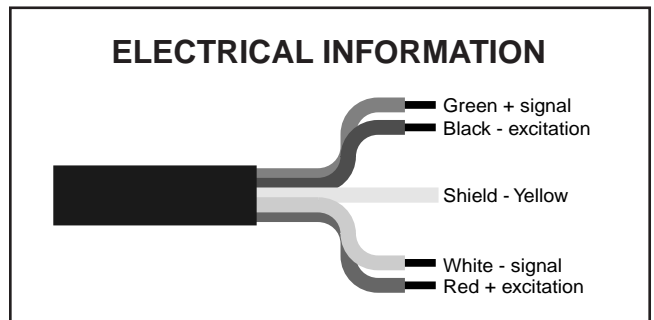
The SCA Series Load Cells meet all requirements of OIML R60 and has been issued OIML certificate no. R60/1991-DK-97.04 rev1.



The SCA Series Load Cells meet all requirements of Handbook 44, issued by the National Institute of Standards and Technology and have been issued the NTEP Certificate of Conformance No. 89-042 A3.



Cardinal Scale reserves the right to improve, enhance and modify features and specifications without prior notice.



Printed in USA • © Copyright 2001, Cardinal Scale Mfg. Company • 207/263-6

203 East Daugherty
P.O. Box 151
Webb City, Mo 64870

Phone: 417•673•4631
Fax: 417•673•5001
www.cardinalscales.com